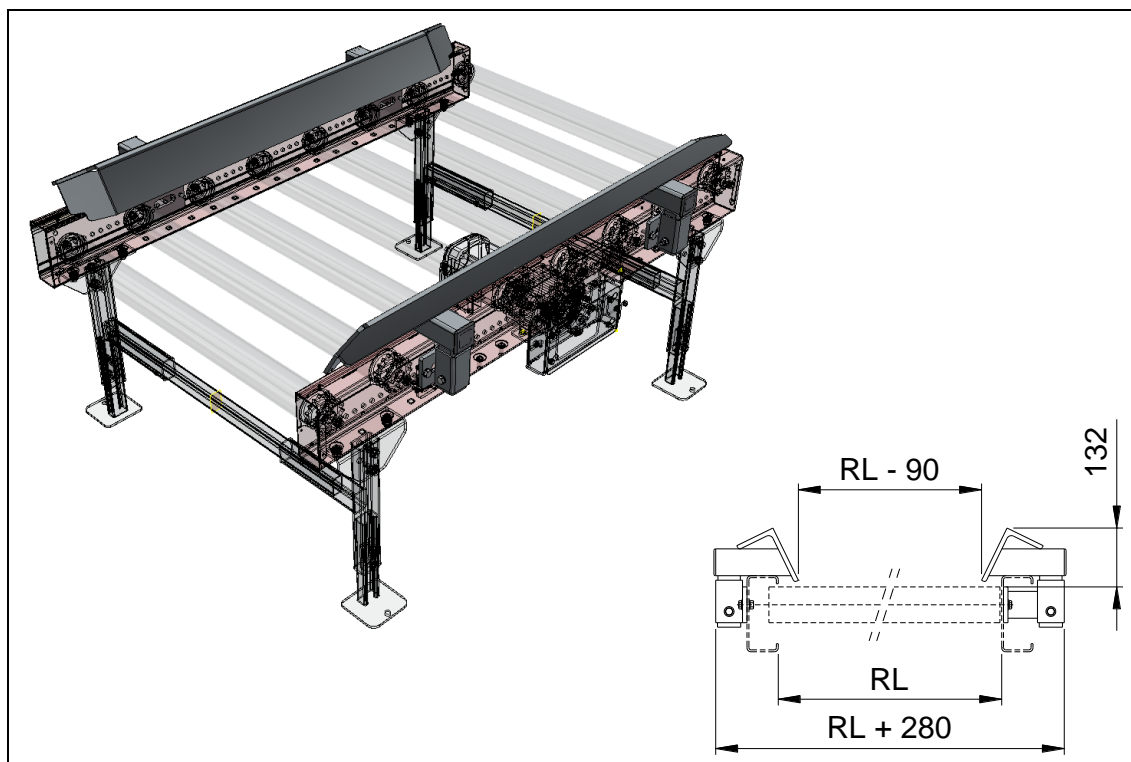


PA 1500 – Pallet guide – Type PAST



Area of application:

For centering the pallet at the loading position.

Technical data:

Design: Bent sheet metal – Thickness 8 mm.

Length: 1350 mm.