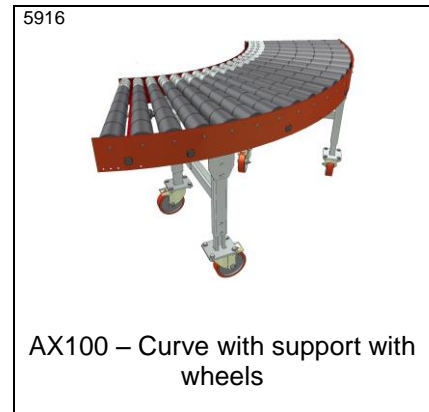
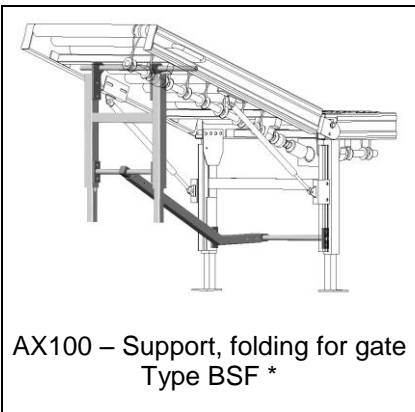
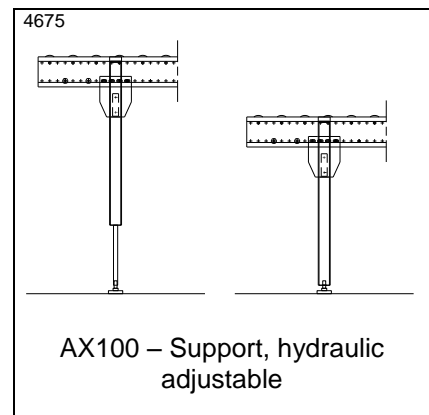
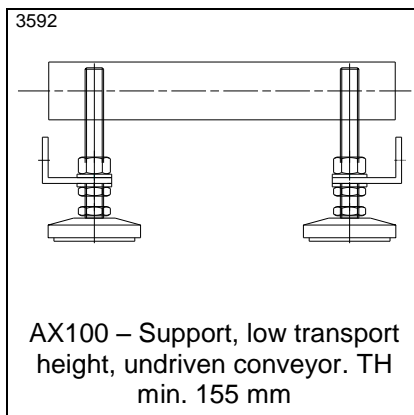
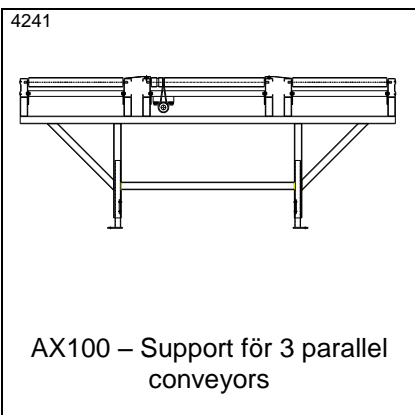
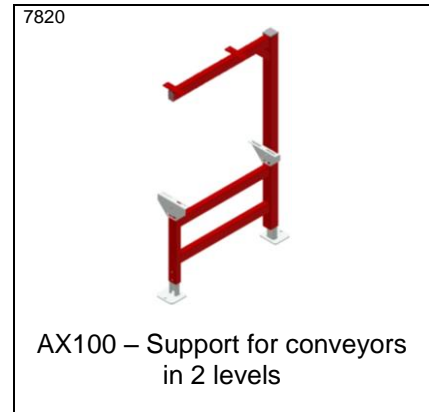
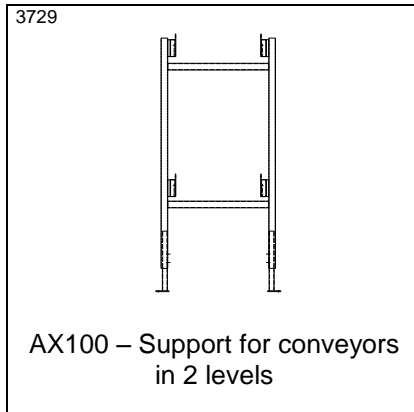
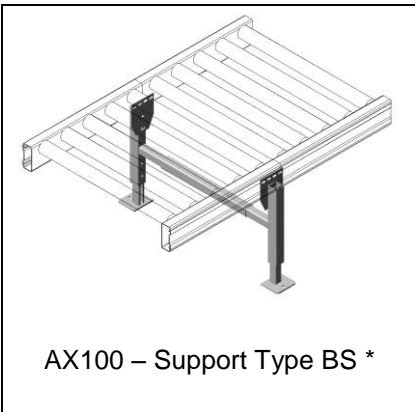
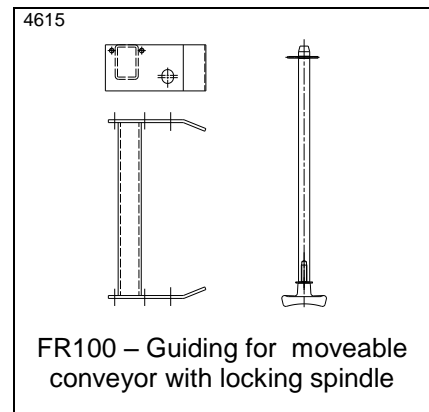
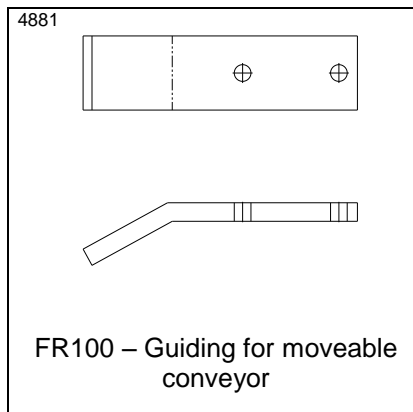
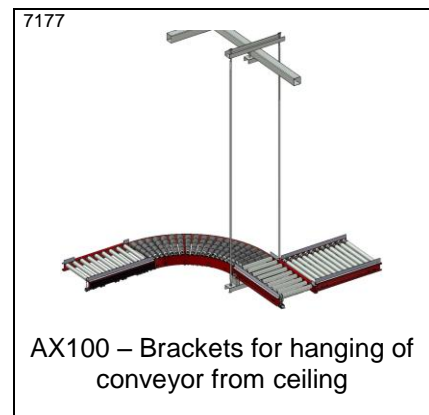
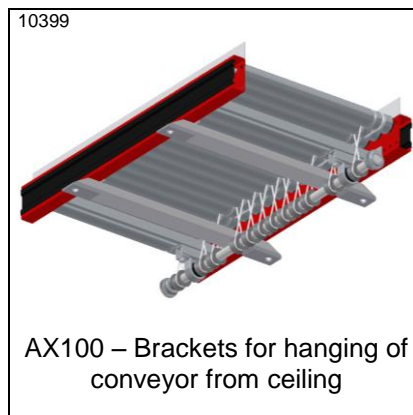
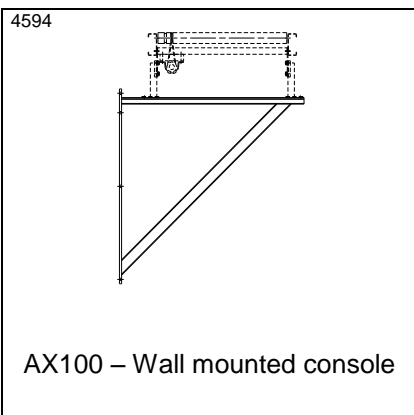
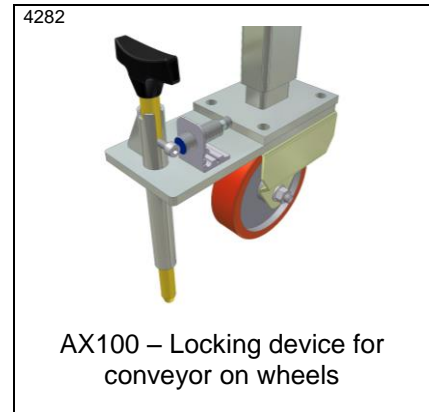
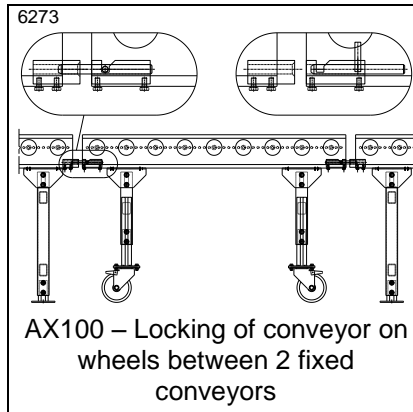


Idea bank – Supports



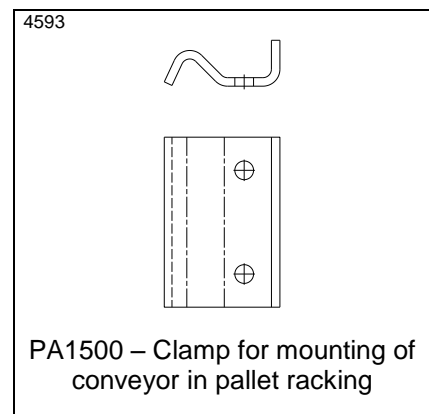
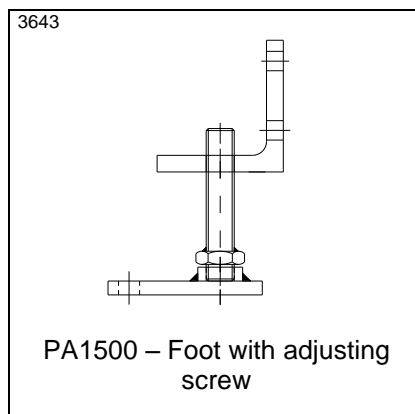
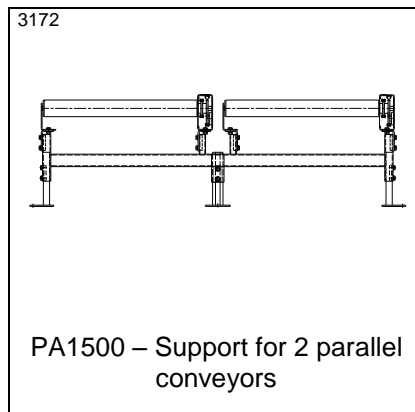
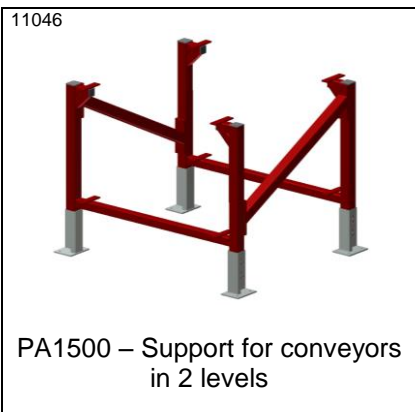
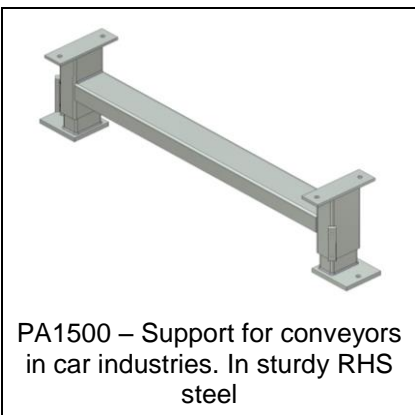
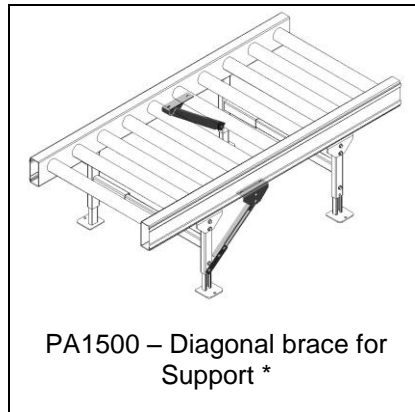
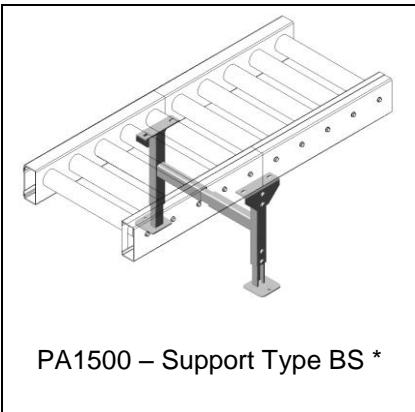
* Datasheet available

Idea bank – Supports



* Datasheet available

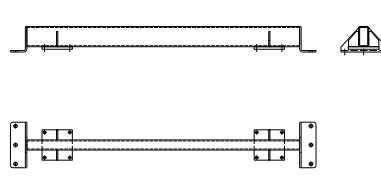
Idea bank – Supports



* Datasheet available

Idea bank – Supports

5081



PA1500 – Support, low built, for mounting of conveyor on load cells

5200

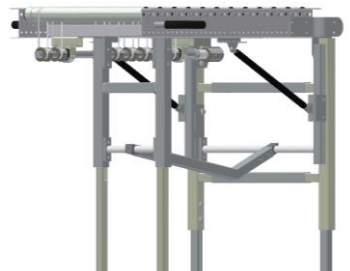


PA1500 – Foot for mounting of conveyor on load cell



AX100 Stainless – Support

10719



AX100 Stainless – Support, folding for gate

3936

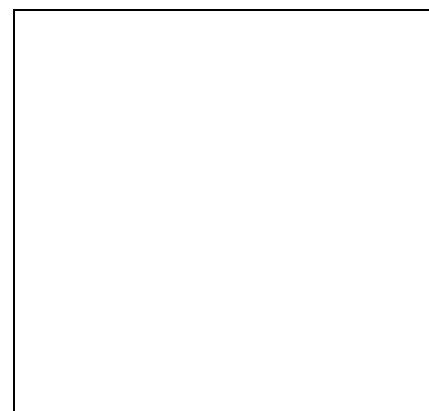
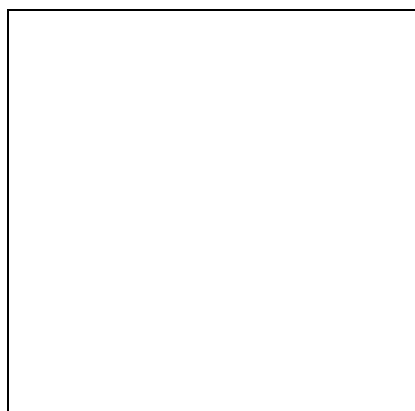
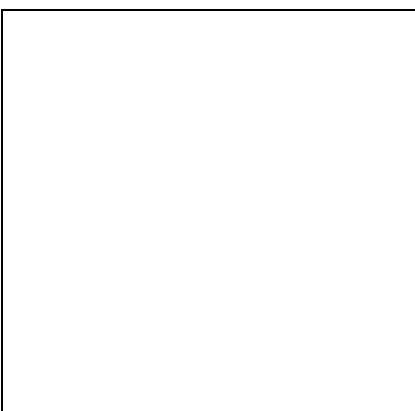
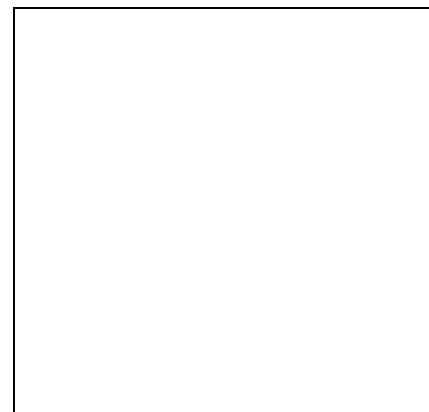
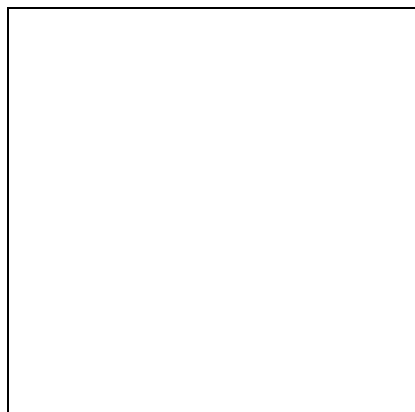
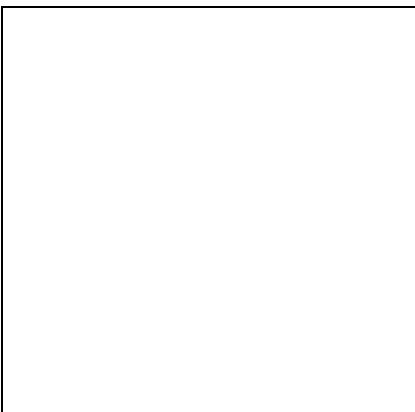


PA1500 Stainless – Support

10693



PA1500 Stainless – Support for TH 200 mm with roller conveyor



* Datasheet available