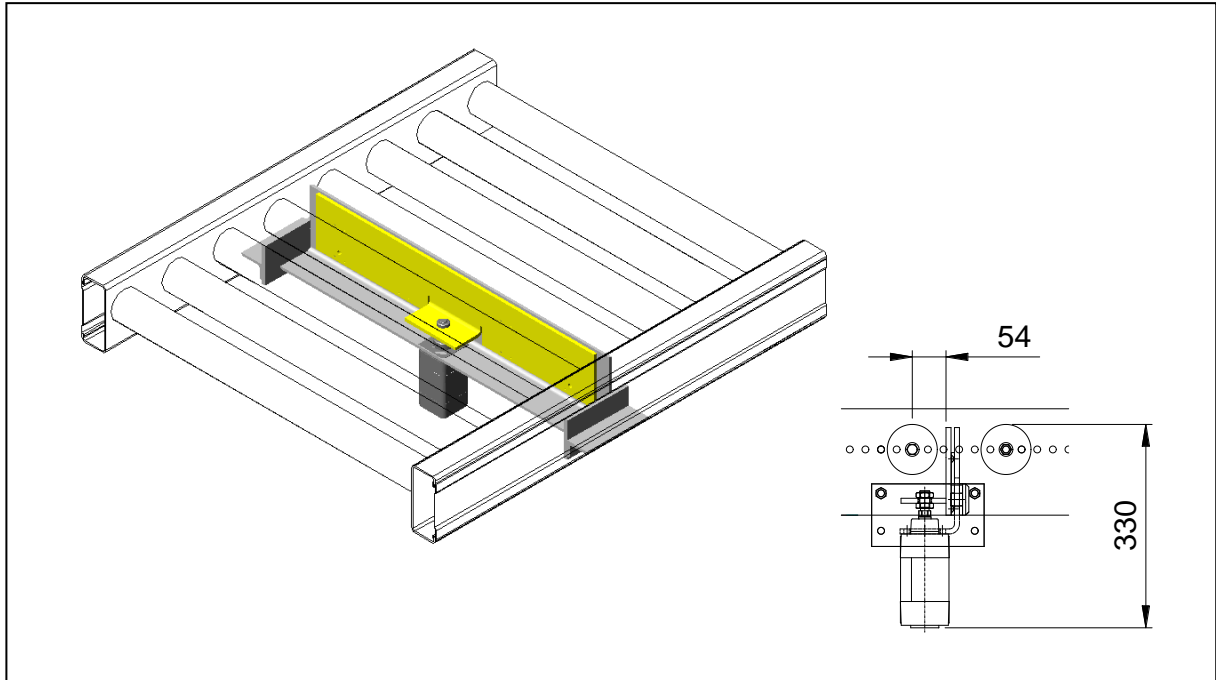


PA1500 – Stop, positioning stop Type PS



Area of usage:

Stop for the positioning of pallets, i.e. at automatic loading stations where there are demands for tolerance, or as a safety stop in front of a goods lift, etc.

Technical data:

Stop plate with plain bearing, length of stroke 25 mm (20 mm over the roller).
Air consumption: 1.05 NL/cycle.
Cylinder: VDMA-standard.
Load: Max goods weight against the stop plate 1500 kg.
For roller length: 900 and 1100 mm.

Surface treatment:

Stop plate: RAL1006 (yellow).
Other parts: Zinc plated.

Other:

Delivered without pneumatic steering valve.
Other roller lengths on request.

Article number:

Roller length	
900 mm	PAPS09000001
1100 mm	PAPS11000001

Ensure the article number is stated when ordering.