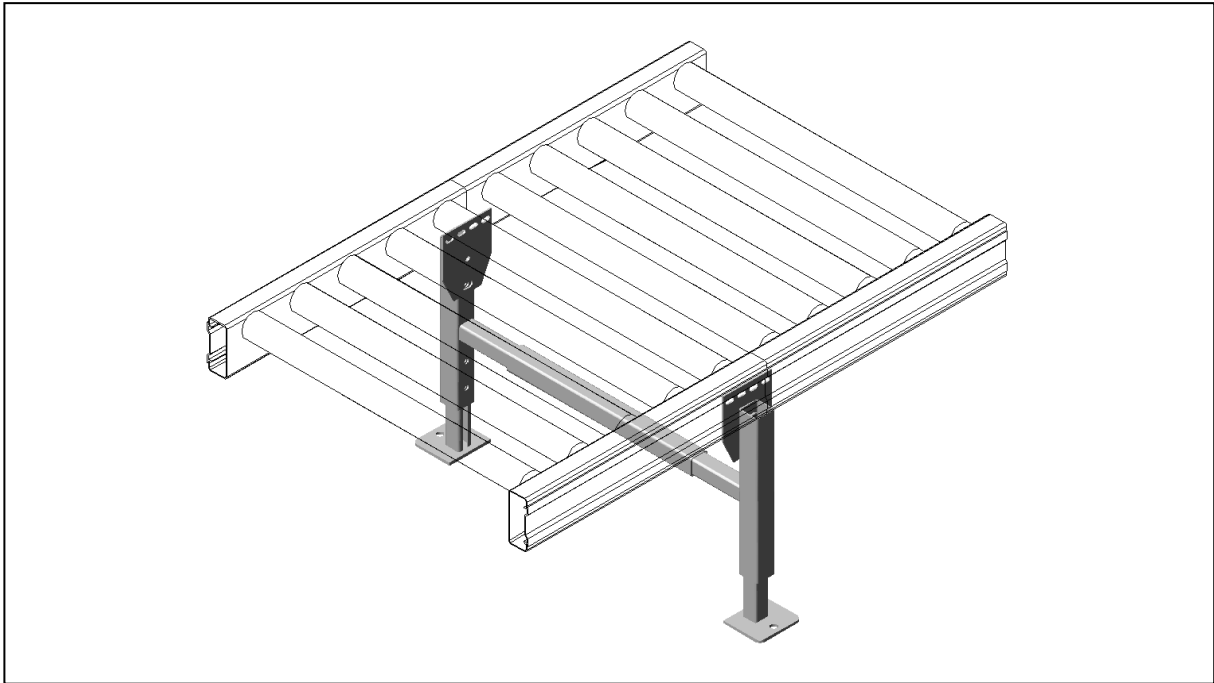


## AX100 – Support Type BS



**Area of usage:**

Designed for usage with all conveyors in the AX100 system.

**Technical data:**

Transport height:	For roller conveyor the transport height (top of roller) can be adjusted in intervals according to table on next side.
Adjustable:	Supports can be adjusted 25 mm more then it says in table for transport heights.
Inclination:	The attachment brackets allow the conveyor to be tilted 5°.

**Surface treatment:**

Zinc plated.

**Other:**

Hole in feet against floor has diameter 13 mm. Expansion bolts M10 is recommended for fixation. The length of the bolt depends on the floor quality.

## AX100 – Support Type BS

**Article number:**

Roller length RL [mm]	Transport height, TH [mm]			
	300-350	351-445	446-565	566-775
300	AXBS03000350	AXBS03000445	AXBS03000565	AXBS03000775
400	AXBS04000350	AXBS04000445	AXBS04000565	AXBS04000775
500	AXBS05000350	AXBS05000445	AXBS05000565	AXBS05000775
600	AXBS06000350	AXBS06000445	AXBS06000565	AXBS06000775
700	AXBS07000350	AXBS07000445	AXBS07000565	AXBS07000775
800	AXBS08000350	AXBS08000445	AXBS08000565	AXBS08000775
900	AXBS09000350	AXBS09000445	AXBS09000565	AXBS09000775

Roller length RL [mm]	Transport height, TH [mm]		
	776-1050	1051-1250	1251-1450
300	AXBS03001050	AXBS03001250	AXBS03001450
400	AXBS04001050	AXBS04001250	AXBS04001450
500	AXBS05001050	AXBS05001250	AXBS05001450
600	AXBS06001050	AXBS06001250	AXBS06001450
700	AXBS07001050	AXBS07001250	AXBS07001450
800	AXBS08001050	AXBS08001250	AXBS08001450
900	AXBS09001050	AXBS09001250	AXBS09001450

*Ensure the article number is stated when ordering.*