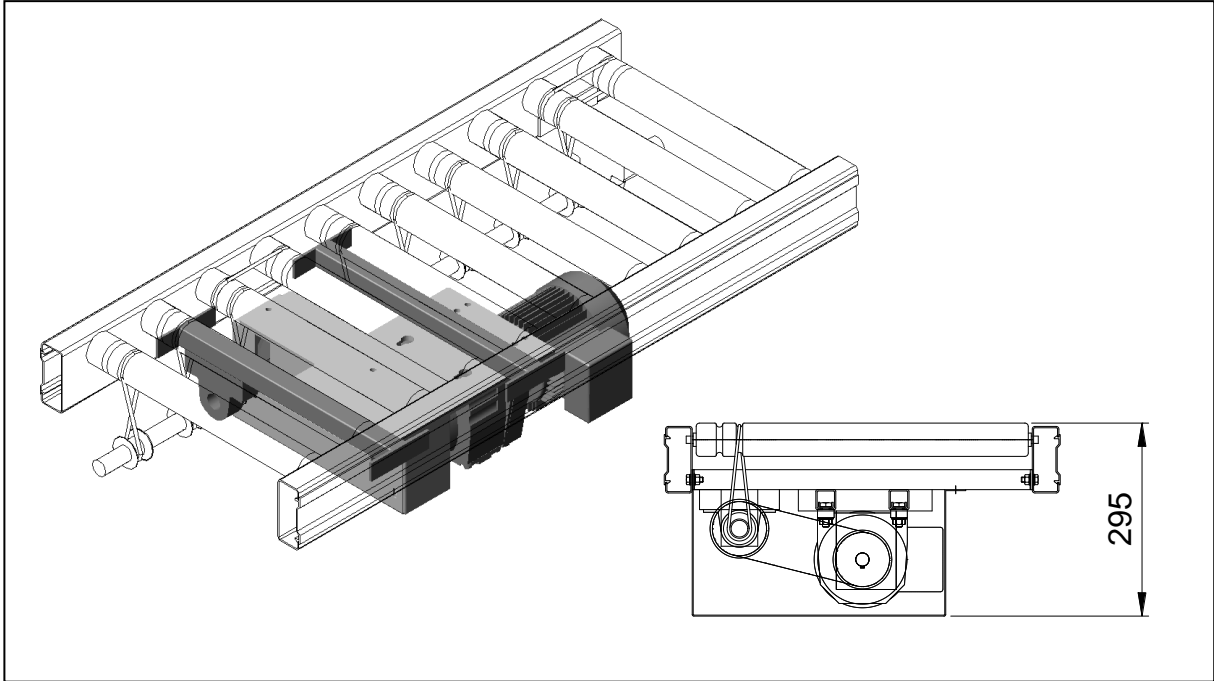


AX100 – Drive unit Type DR



Area of usages:

For the driving of roller conveyer AX100.

Technical data:

Gear:	Gear motor.
Transmission:	Tooth belt transmission between motor and drive shaft.
Motor holder:	C-profile for variable adjustment.
Motor effects:	0.25, 0.37, 0.55 and 0.75 kW.
Voltage:	230/400 V _{AC} , 50 Hz.
Sealing class:	IP55.
Speed:	9, 12, 15 and 20 m/min.
Roller length:	300, 400, 500, 600, 700, 800 and 900 mm.

Surface treatment:

Zinc plated.

Other:

When choosing drive unit use "Choosing the number of drive units" and "Calculating the motor effect of the drive units" on the following sides.

Other motor effects and transportation speeds on request.

AX100 – Drive unit Type DR

Article number:

Motor effect	Transportation Speed			
	9 m/min	12 m/min	15 m/min	20 m/min
<u>Roller length RL = 300 mm</u>				
0.25 kW	AXDR03002509	AXDR03002512	AXDR03002515	AXDR03002520
0.37 kW	AXDR03003709	AXDR03003712	AXDR03003715	AXDR03003720
0.55 kW	AXDR03005509	AXDR03005512	AXDR03005515	AXDR03005520
0.75 kW	AXDR03007509	AXDR03007512	AXDR03007515	AXDR03007520
<u>Roller length RL = 400 mm</u>				
0.25 kW	AXDR04002509	AXDR04002512	AXDR04002515	AXDR04002520
0.37 kW	AXDR04003709	AXDR04003712	AXDR04003715	AXDR04003720
0.55 kW	AXDR04005509	AXDR04005512	AXDR04005515	AXDR04005520
0.75 kW	AXDR04007509	AXDR04007512	AXDR04007515	AXDR04007520
<u>Roller length RL = 500 mm</u>				
0.25 kW	AXDR05002509	AXDR05002512	AXDR05002515	AXDR05002520
0.37 kW	AXDR05003709	AXDR05003712	AXDR05003715	AXDR05003720
0.55 kW	AXDR05005509	AXDR05005512	AXDR05005515	AXDR05005520
0.75 kW	AXDR05007509	AXDR05007512	AXDR05007515	AXDR05007520
<u>Roller length RL = 600 mm</u>				
0.25 kW	AXDR06002509	AXDR06002512	AXDR06002515	AXDR06002520
0.37 kW	AXDR06003709	AXDR06003712	AXDR06003715	AXDR06003720
0.55 kW	AXDR06005509	AXDR06005512	AXDR06005515	AXDR06005520
0.75 kW	AXDR06007509	AXDR06007512	AXDR06007515	AXDR06007520
<u>Roller length RL = 700 mm</u>				
0.25 kW	AXDR07002509	AXDR07002512	AXDR07002515	AXDR07002520
0.37 kW	AXDR07003709	AXDR07003712	AXDR07003715	AXDR07003720
0.55 kW	AXDR07005509	AXDR07005512	AXDR07005515	AXDR07005520
0.75 kW	AXDR07007509	AXDR07007512	AXDR07007515	AXDR07007520
<u>Roller length RL = 800 mm</u>				
0.25 kW	AXDR08002509	AXDR08002512	AXDR08002515	AXDR08002520
0.37 kW	AXDR08003709	AXDR08003712	AXDR08003715	AXDR08003720
0.55 kW	AXDR08005509	AXDR08005512	AXDR08005515	AXDR08005520
0.75 kW	AXDR08007509	AXDR08007512	AXDR08007515	AXDR08007520
<u>Roller length RL = 900 mm</u>				
0.25 kW	AXDR09002509	AXDR09002512	AXDR09002515	AXDR09002520
0.37 kW	AXDR09003709	AXDR09003712	AXDR09003715	AXDR09003720
0.55 kW	AXDR09005509	AXDR09005512	AXDR09005515	AXDR09005520
0.75 kW	AXDR09007509	AXDR09007512	AXDR09007515	AXDR09007520

Ensure the article number is stated when ordering.