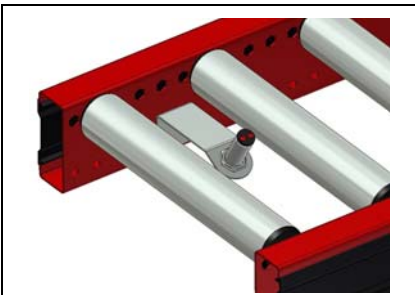


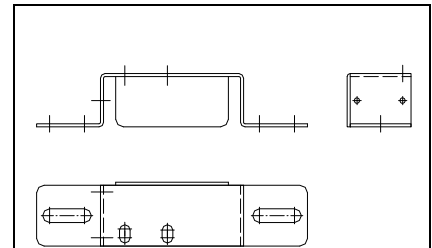
## Idea bank – Sensors, brackets, etc.



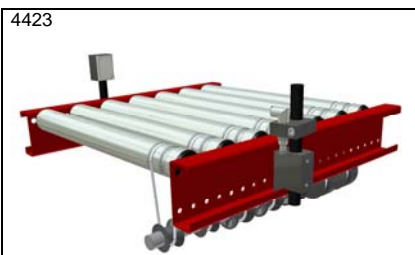
AX100 – Sensor bracket inside frame Type GFIF \*



AX100 – Sensor brackets outside frame Type GFU \*



AX100 – Bracket for photoelectric sensor



4423

AX100 – Brackets for photoelectric sensor and reflector



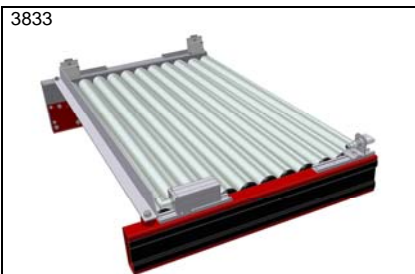
5516-1

AX100 – Cable channel in elevator



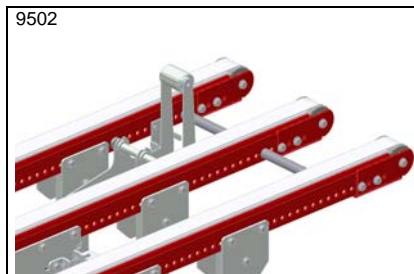
5516-2

AX100 – Elevator complete with sensors and control cabinet.



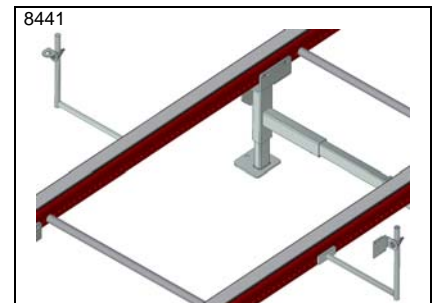
3833

KE100 – Brackets for M18 photoelectric sensor and reflector



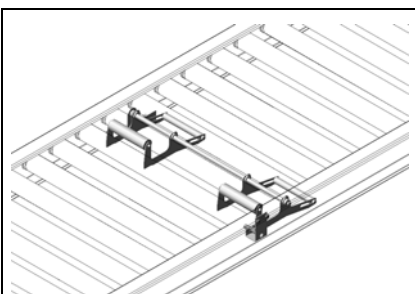
9502

KRT100 – Indication roller for 1/4-pallet

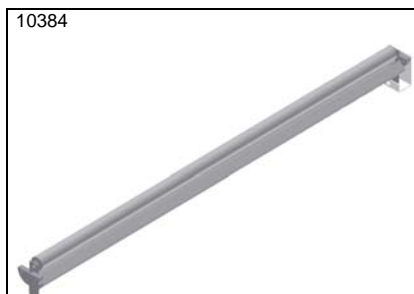


8441

KRT100 – Sensor brackets outside frame

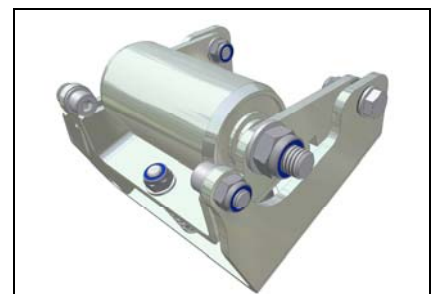


PA1500 – Indication roller Type INR \*



10384

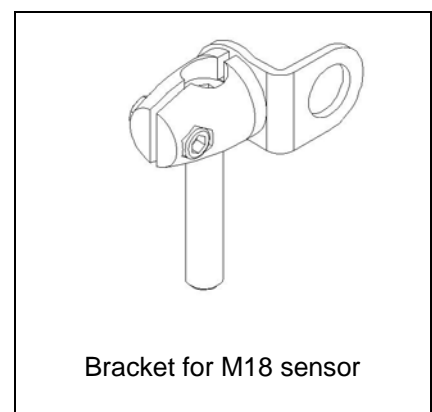
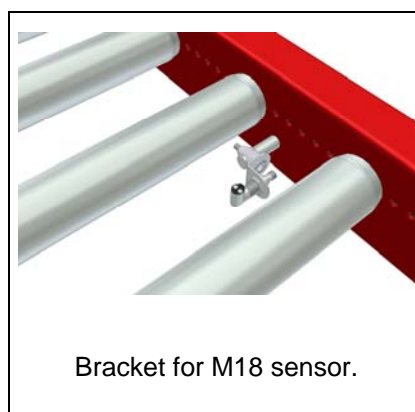
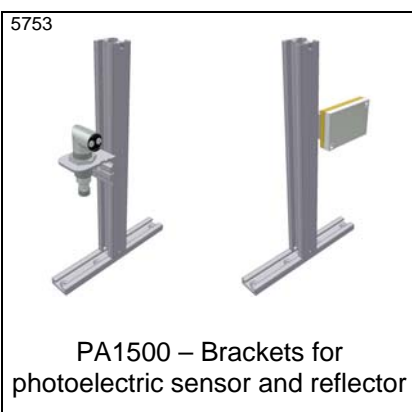
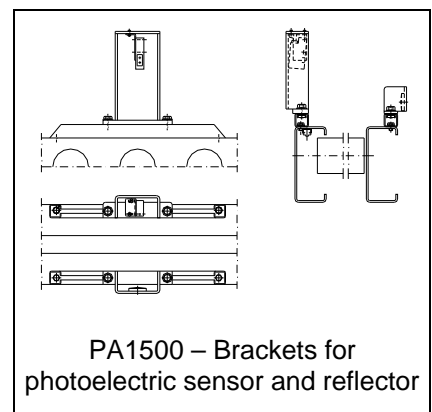
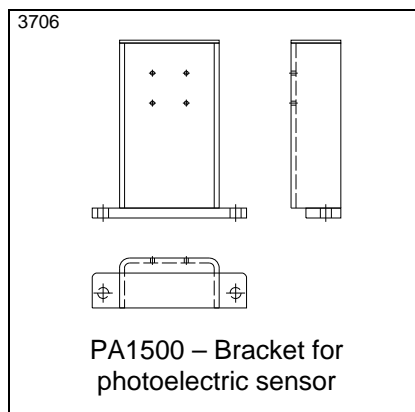
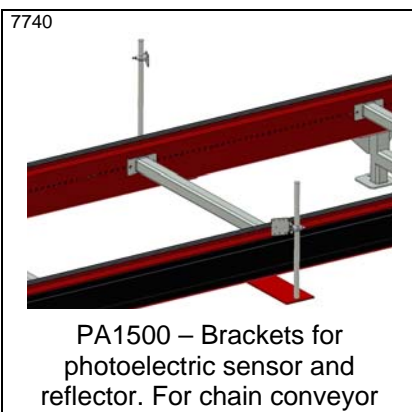
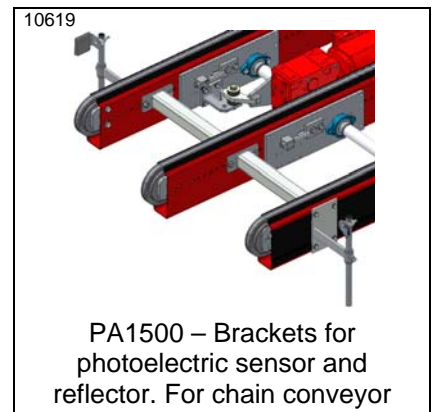
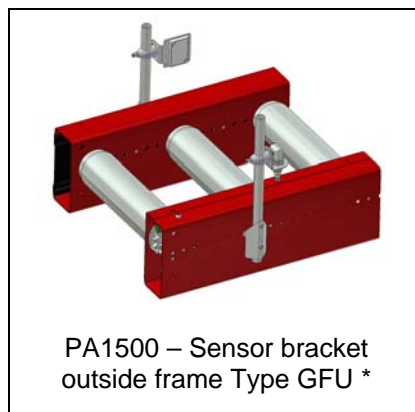
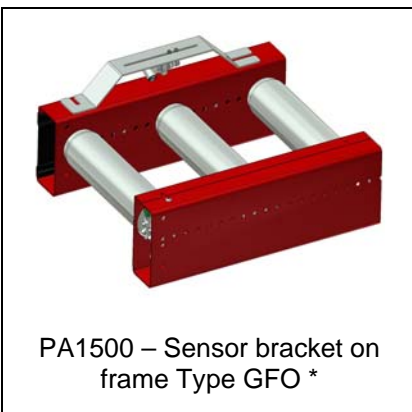
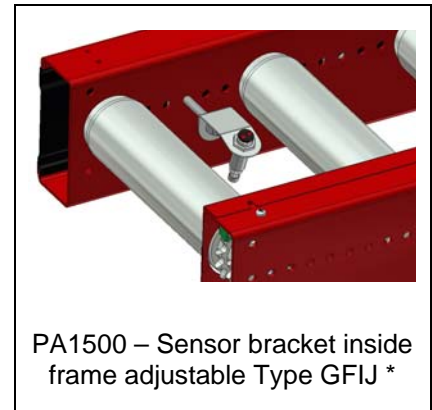
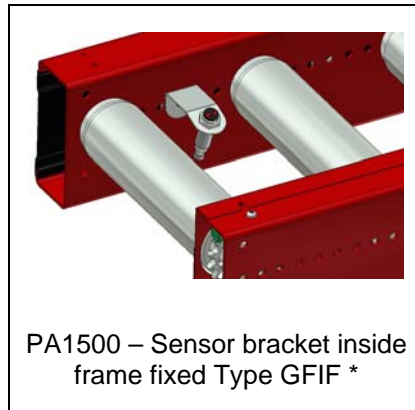
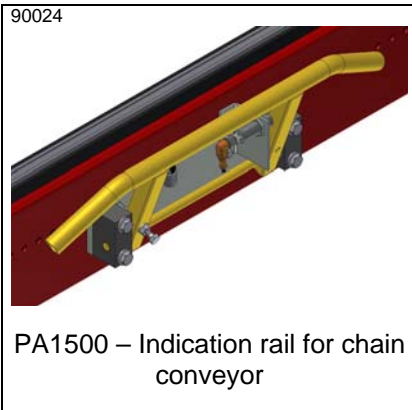
PA1500 – Indication roller for long roller lengths



PA1500 – Indication roller

\* Datasheet available

## Idea bank – Sensors, brackets, etc.



\* Datasheet available

### Material Handling Modules AB

Österlenvägen 280  
S-270 21 Glemmingebro

Tel. + 46 411 55 89 80  
Fax. + 46 411 52 27 70

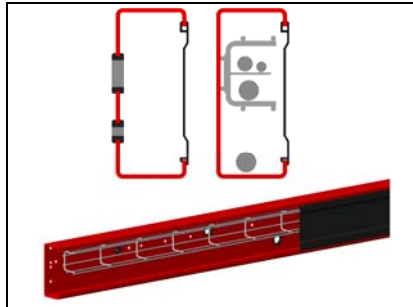
info@mhmodules.com  
www.mhmodules.com

VAT: SE556490745801

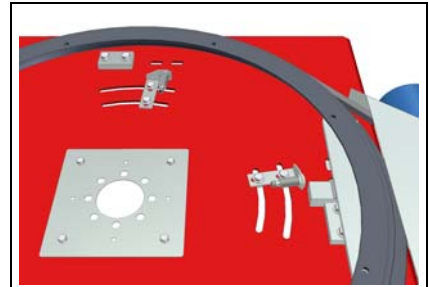
## Idea bank – Sensors, brackets, etc.



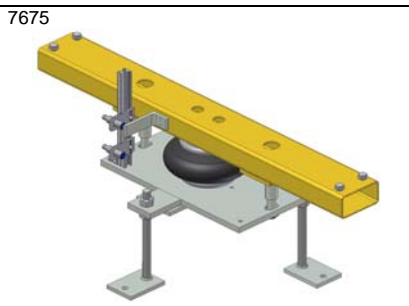
Bracket for M18 sensor.



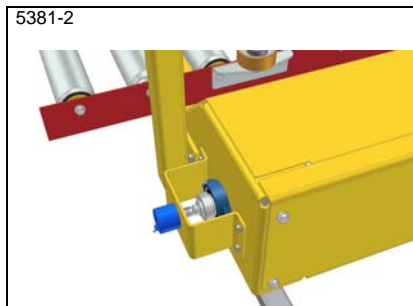
PA1500 – Cable channel in frame



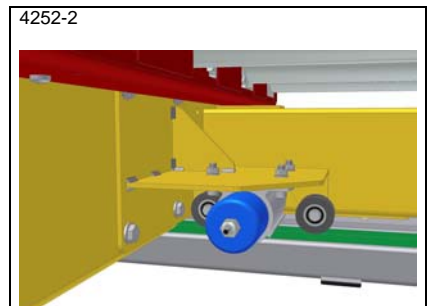
PA1500 – Sensors for turntable



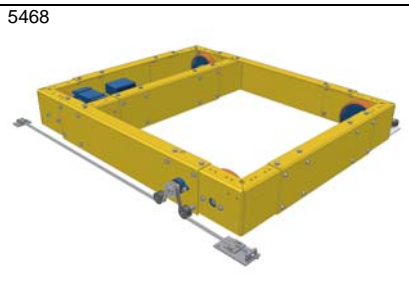
PA1500 – Sensors for tiltable chain conveyor



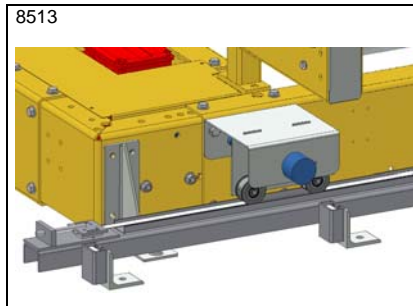
PA1500 – Encoder for transfer car. Measures on wheel shaft. Only for short distances.



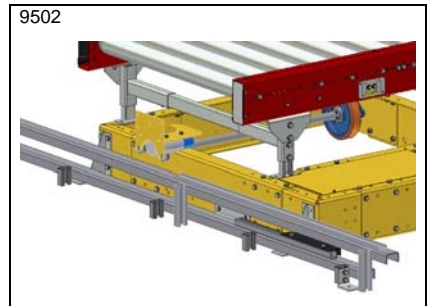
PA1500 – Encoder for transfer car. Measures on timing belt



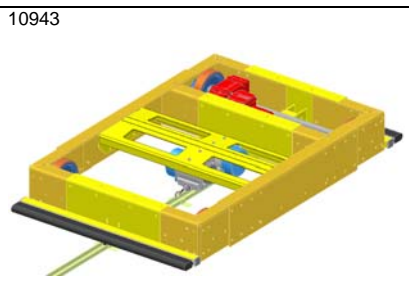
PA1500 – Encoder for transfer car. Measures on timing belt



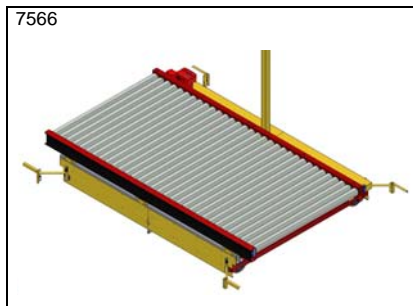
PA1500 – Bracket for encoder on transfer car. Measures on timing belt



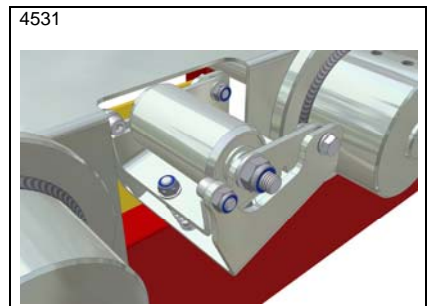
PA1500 – Encoder for transfer car. Rail for timing belt on which the encoder measures



PA1500 – Bracket for encoder on transfer car. Wire draw encoders



PA1500 – Transfer car with collision protection, 4 arms with photoelectric sensors.



Flanged roller conveyor – Indication roller

\* Datasheet available

### Material Handling Modules AB

Österlenvägen 280  
S-270 21 Glemmingebro

Tel. + 46 411 55 89 80  
Fax. + 46 411 52 27 70

info@mhmodules.com  
www.mhmodules.com

VAT: SE556490745801