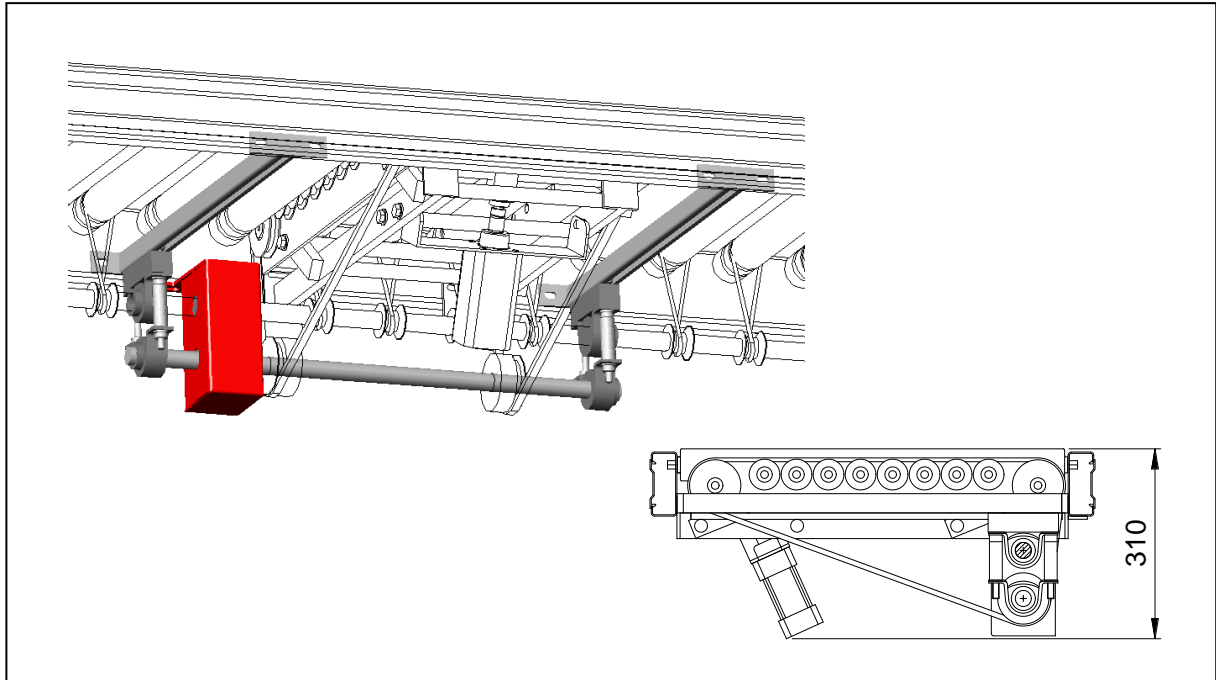


AX100 – Direction converter Type RV



Area of usage:

Powering of transveyor in opposite direction of the direction that should be given of the drive shafts rotation direction.

Technical data:

Power transmission between shafts with gear wheel.

Surface treatment:

RAL3020 (red) or zinc plated.

Article number:

AXRV00000001

Ensure the article number is stated when ordering.