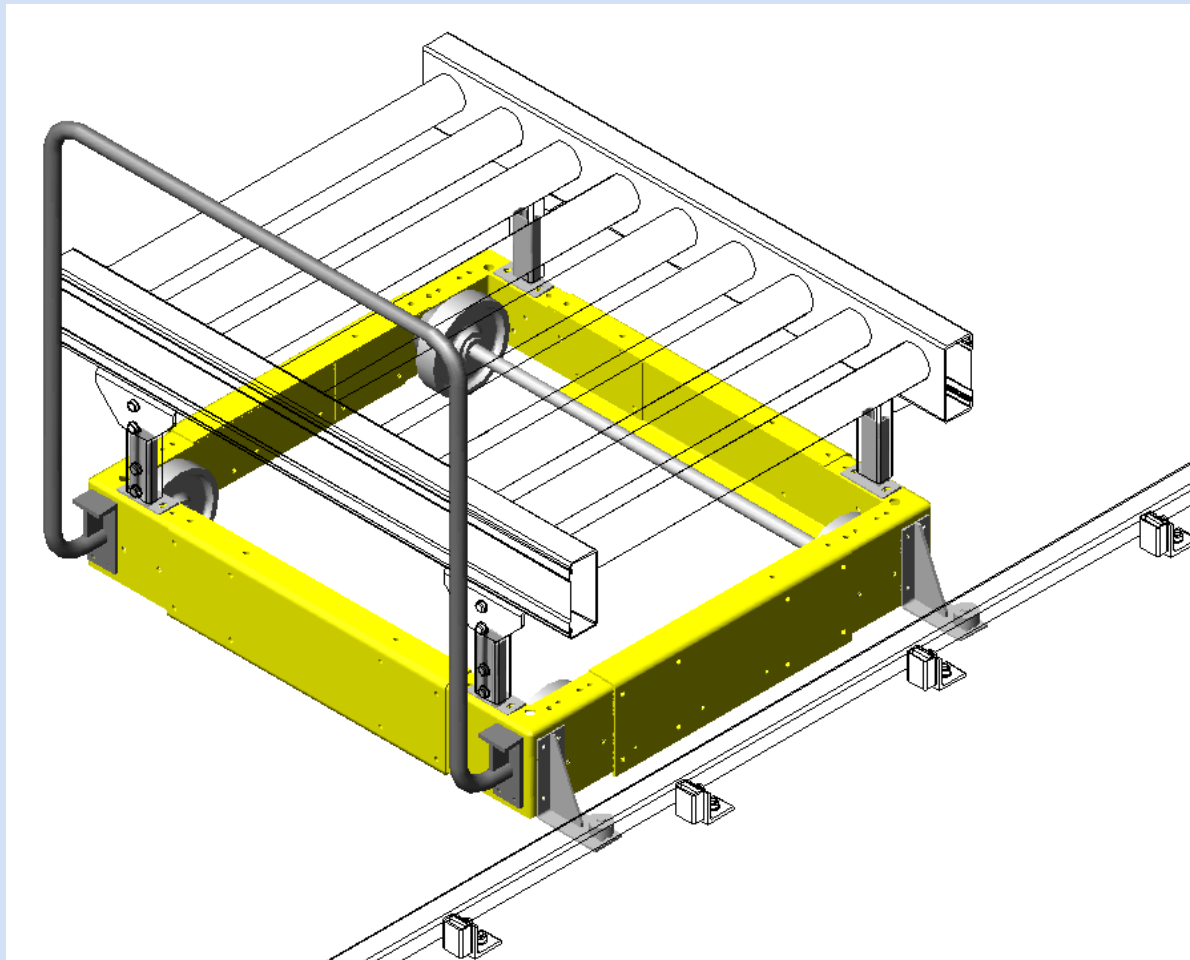


Unpowered transfer car



For manual transportation between several connecting conveyors