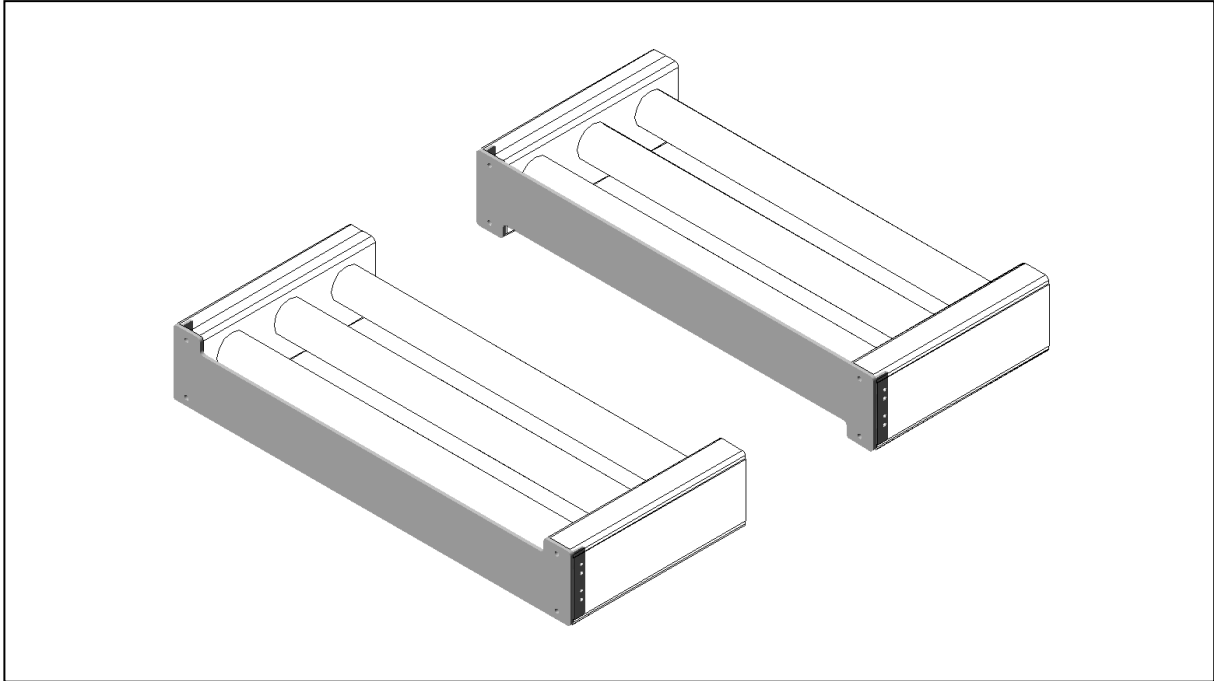


PA1500 – Fixed end stop, end plate



Area of usage:

Plate that covers the end of roller conveyor. Can be used as a fixed end stop if mounted upside down.

Technical data:

Design: 8 mm steel plate.
Height: When mounted as stop the plate is 25 mm over the rollers.

Surface treatment:

Zinc plated.

Other:

When ordering together with roller conveyor, always state if the plate is to be used as end stop or end plate.

Article number:

Roller length	
900 mm	3841200010
1100 mm	3841200011

Ensure the article number is stated when ordering.