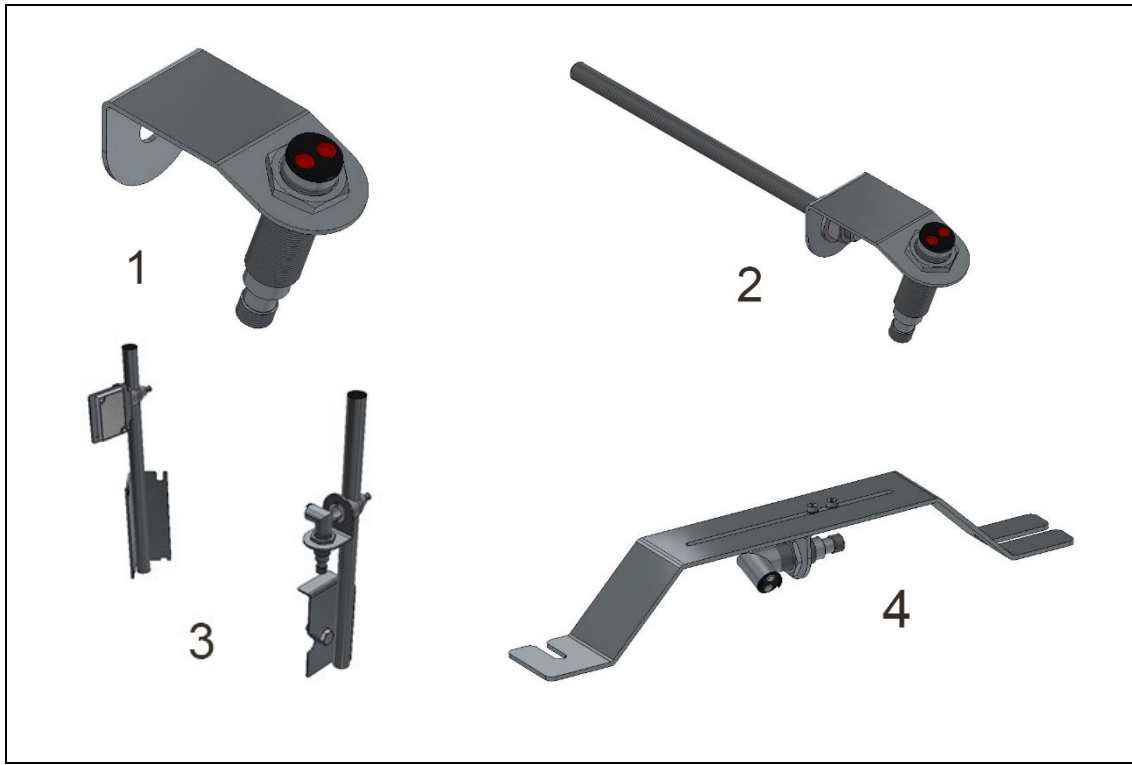


## PA1500– Sensor brackets – Type FC



### Area of usage:

For mounting of photoelectric sensor and reflex on the outside of the frame of the conveyor

### Technical data:

Size sensor: M18 photoelectric sensor (not included)  
Size mirror: 40 x 60 mm (mirror not included).  
Design: Adjustable. For mounting in existing hole pattern of the frame

### Surface treatment:

Galvanized.

### Part number:

1	PAGFIF181500	<i>For photoelectric sensor. Roller pitch min. 150 mm.</i>
2	PAGFIJ181500	<i>For photoelectric sensor. Roller pitch min. 150 mm..</i>
3	PAGFU1800105	<i>For photoelectric sensor + mirror</i>
4	PAGFO1800000	<i>For photoelectric sensor.</i>

*Ensure the part number is stated when ordering.*