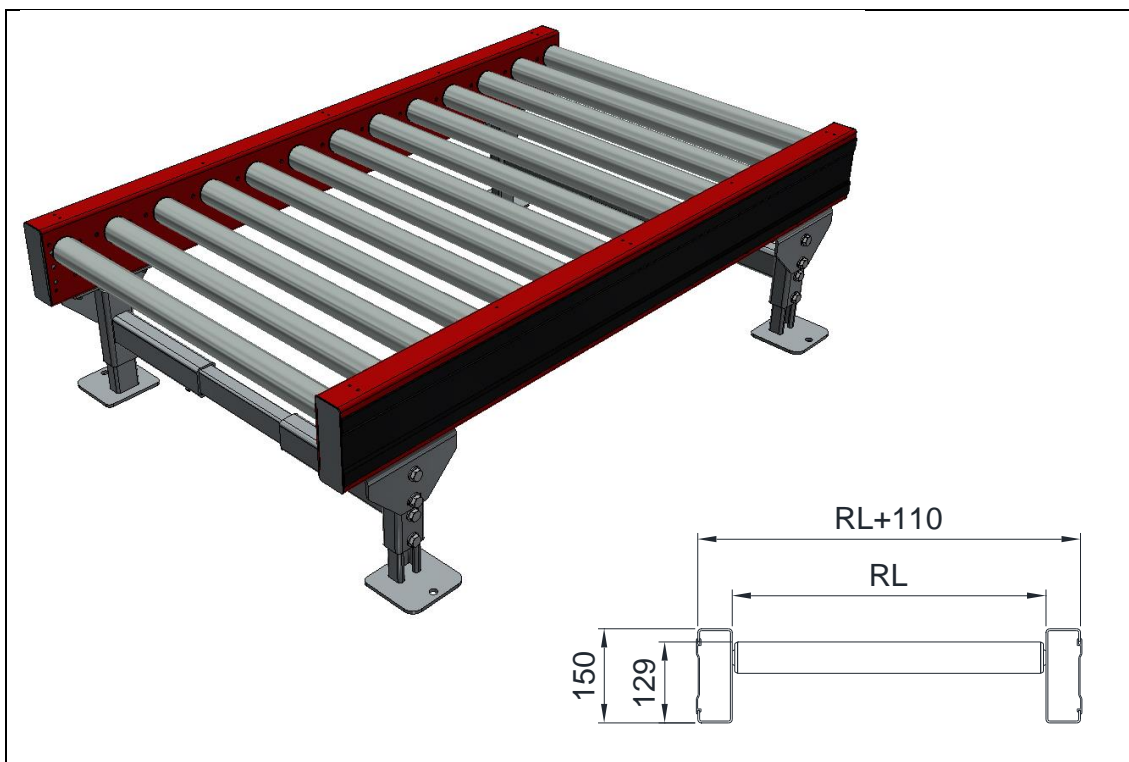


KE 500 – Undriven roller conveyor – Type OD



Area of application:

Roller conveyor for undriven/gravitating transport of general goods with weights up to 500 kg/m

Technical data:

Conveyor Type:	Undriven runway.
Framework:	C-profile steel 20x55x150x55x20x3 mm.
Section lengths:	1330 and 2660 mm.
Roller lengths:	400, 500, 600, 700 and 800 mm.
Roller splits:	70, 105 and 140 mm.
Roller type:	Ø50x1,5 mm.
Leg support:	PA 1500 type BS